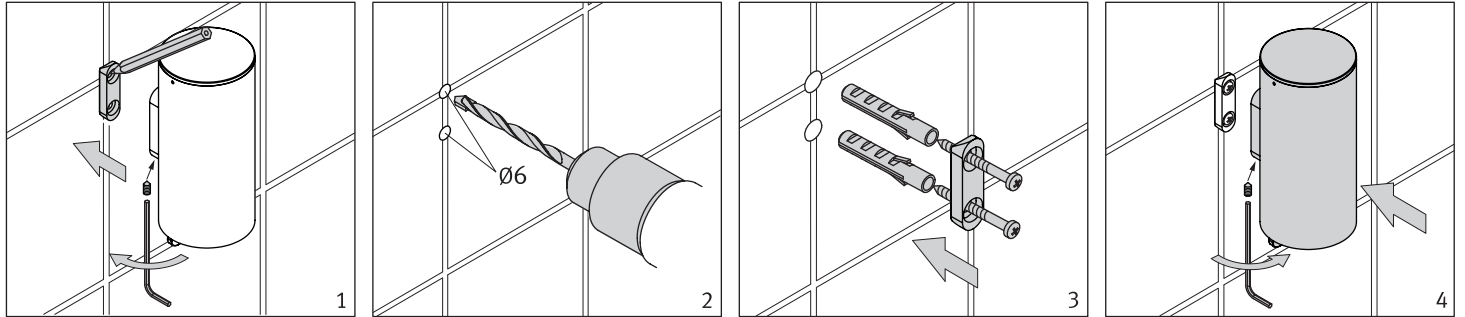
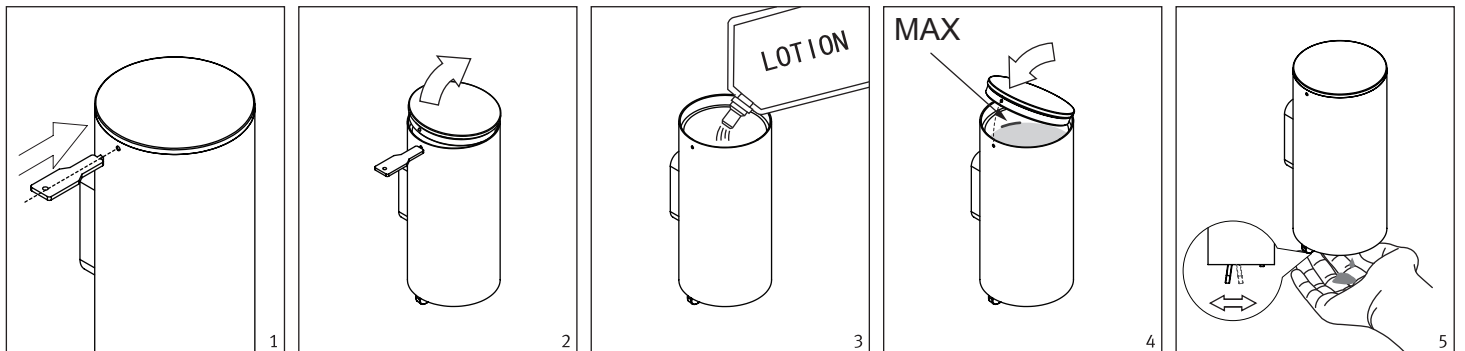


Wandmontage / Wall mounting



Nachfüll / Refill

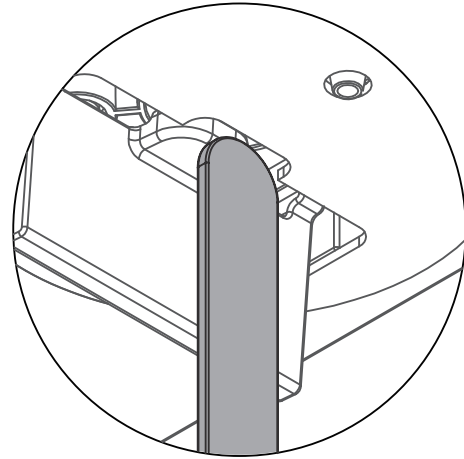
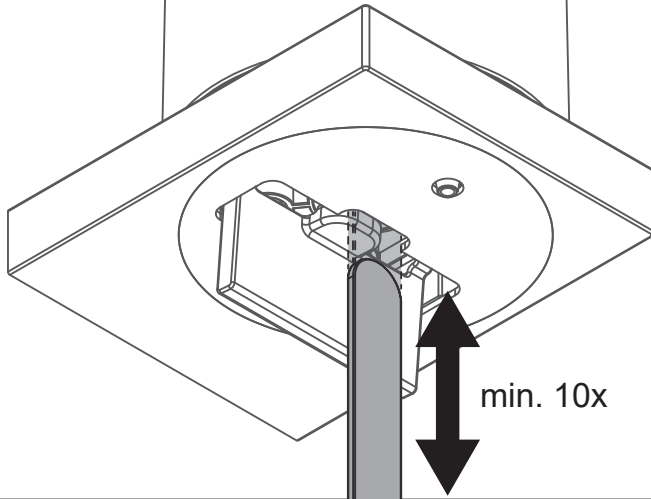
Min. 25mm für Gele und dickflüssige Seifen
Min. 25mm for gel and viscous liquid soap



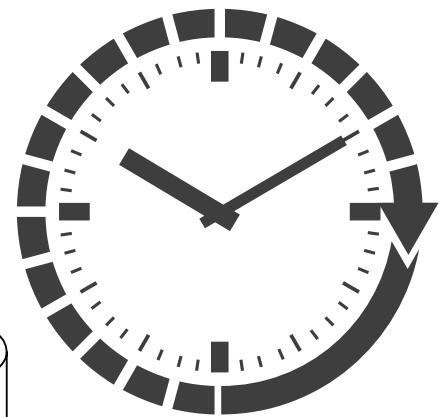
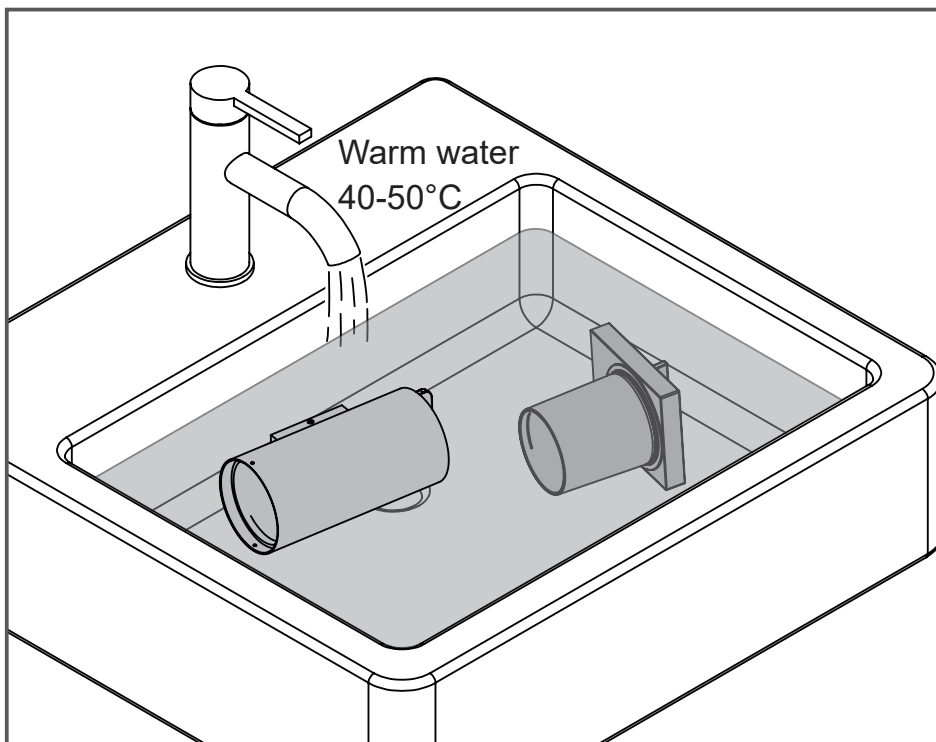
Soap dispenser startup operation

The first startup operation shall be done with water before wall mounting. Our soap dispensers are 100% tested with water for function and tightness. Due to drying after the test, in exceptional cases, soap dispenser may not work immediately. In this case, please follow these instructions. If point 1 is not successful, please perform point 2 and then repeat point 1.

Fill soap container
with warm water to 50%



1



Approx. 1 hour

2