





### SUNUP SHE6 PRO

without switch

Lenght	Watt	Volt
on request	14,4W/m	24VDC



**OSRAM**  
Opto Semiconductors



### SUNUP SHEP6 D-M

without switch

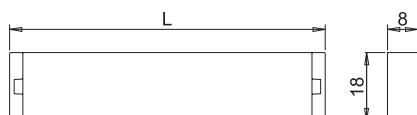
Lenght	Watt	Volt
on request	10W/m	24VDC



SUNUP SHEP6 D-M is a dual-colour luminaire. The light source enables the dynamic control or the selection of the colour temperature of the luminaire with the aid of a control system (sold separately).

When SUNUP SHEP6 D-M is connected directly to a standard power supply, the light source is set to turn on to the natural white colour (4000 K).

The super warm white colour (2700 K) can be set by connecting the 2TC cable (supplied separately) to the power cable.



Colour appearance	super warm white	natural white	D-Motion white
Colour temperature	2700 K	4200 K	3000 - 4000 K
Luminous flux	1420 lm/m	1420 lm/m	840 lm/m
Luminous efficiency	99 lm/W	99 lm/W	84 lm/W
CRI	Ra 80	Ra 80	Ra 95

## SUNUP

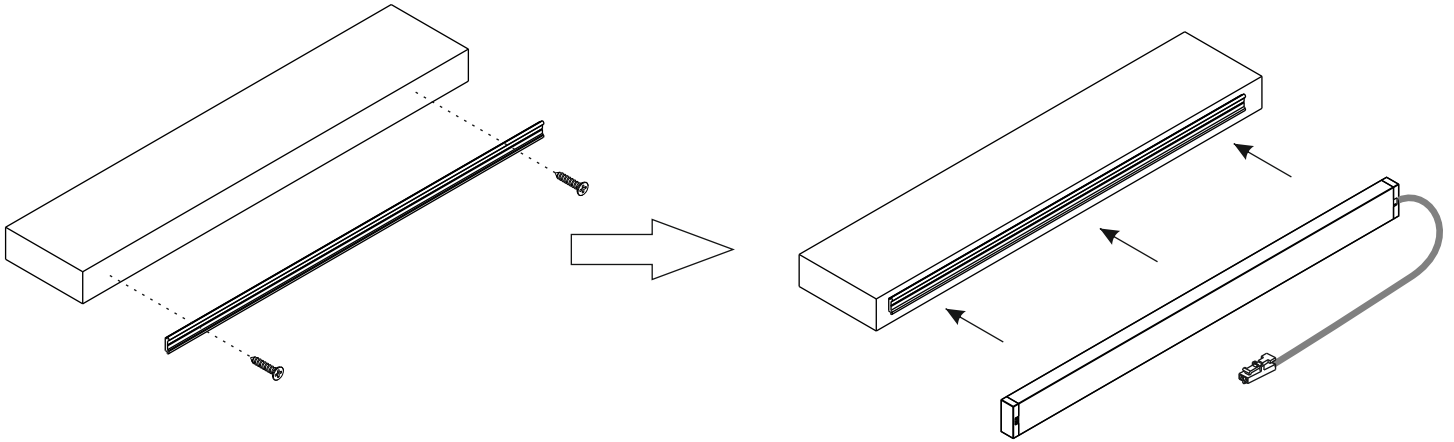
### back-of-shelf LED profile



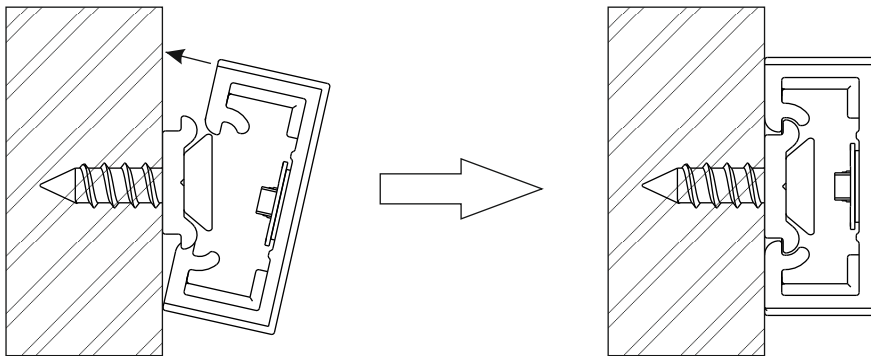
SUNUP is a profile with a light source featuring symmetrical projection reflected on the vertical axis, recommended for back-of-shelf application, which can be integrated perfectly on panels with minimum 18 mm thickness. The fixing system, which is based on an aluminium profile surface-mounted on the edge of the shelf, to which the diffuser profile with light is attached, ensures that the luminaire can be dismantled. SUNUP integrates a single-colour flexible module with 180 LED/m (Osram), or dual-colour D-Motion with 204+204 LED/m, configured with a 2000mm power cable which can exit from the closure head, radially to the installation surface, tilted 90° on the rear side. Power supply not included, to be ordered separately.



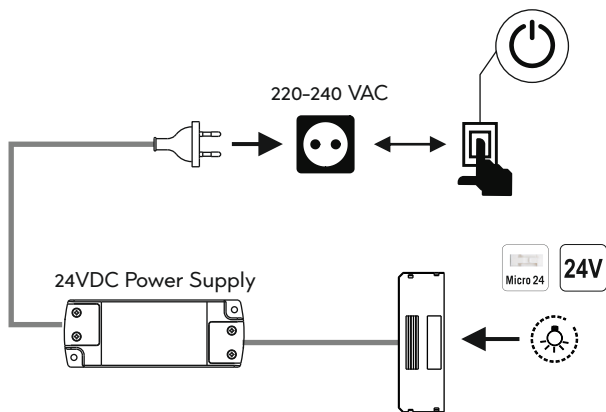
SUNUP



SUNUP



SUNUP



SUNUP (D-M)

