

Product Data Sheet

Article number (will be added by Beslag Design):

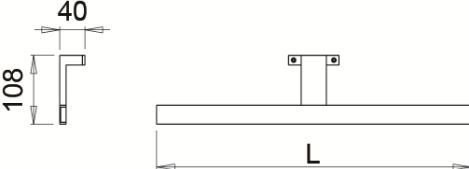
975031 / 975032 (3000K)

Produced by KG	Date 2017-10-23	Replaces -	Valid from 2017-10-23
-------------------	--------------------	---------------	--------------------------

Company information

Company name	Beslag Design	Telephone number	+46(0)431 784 80
Address	Inre Kustvägen 32 SE-269 43 Båstad	Fax number	+46(0)431 784 99
E-mail	info@beslagdesign.se	Web page	www.beslagdesign.se

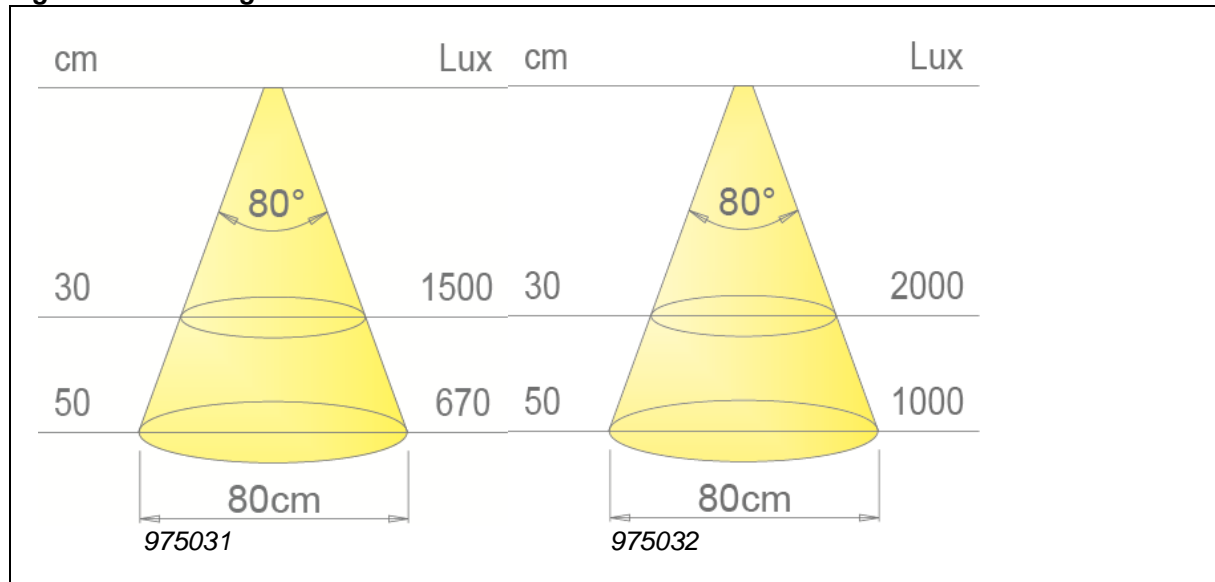
Product Data

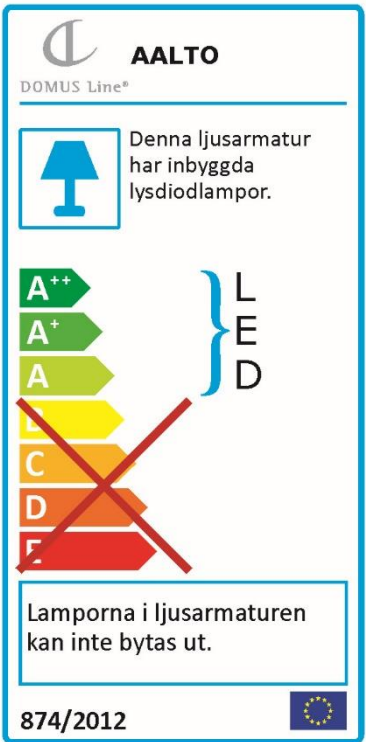
Product name	Aalto
Article No.	975031 (300mm) / 975032 (500mm)
Versions	N/A
Description	Bathroom light, not dimmable
Product material	Metall alloy / methacrylate
Surface finish	Chrome plated
Dimensions (mm)	
Light source type	SMD LED module
Connection type	800mm cable with bare ends
Voltage (V)	230V
Rated power (W)	5W (975031) / 8W (975032)
Luminous power at 50cm (lux)	1000lux
Luminous flux (lm)	400lm (975031) / 640lm (975032)
Luminous efficiency (lm/W)	80lm/W
Light temperature (K)	3000K
Color rendering index (CRI)	Ra ≥ 80
Beam Angle (°)	80°
Dimmable (Yes/No)	No
Driver included (Yes/No)	Yes
Life span (h)	30.000h - average value (minimum guaranteed complies with the requirements of EU Regulation 1194/2012)
Replaceable light source	No
Insulation degree	II
IP rating	IP44
Compliance-Standards	EN 60598-1:2008+A11 EN 55015:2013 EN 60598-2-1:1989 EN 61547:2009 EN 62493:2010 EN 61000-3-3:2013 EN 62471:2008 EN 61000-3-2:2006+A1+A2
Compliance-European Directives	2014/35/EU Low Voltage 2009/125/EC Erp (Reg.No1194/2012/UE + Reg. 1428/2015/UE) 2011/65/UE RoHs 2014/30/EU

Product Data Sheet

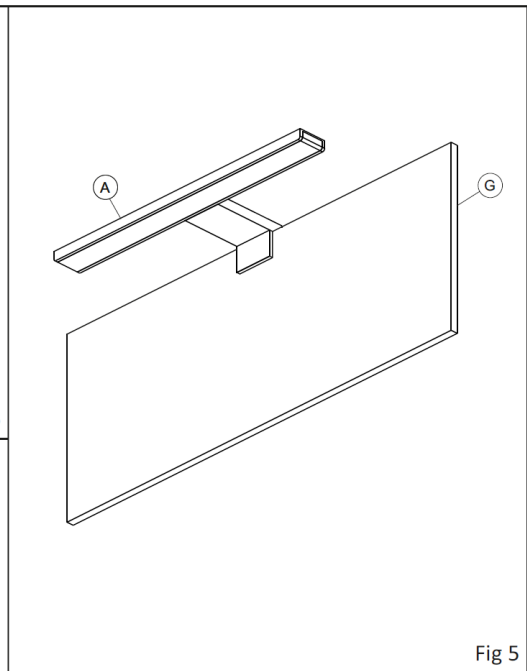
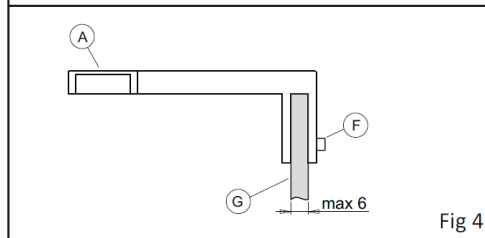
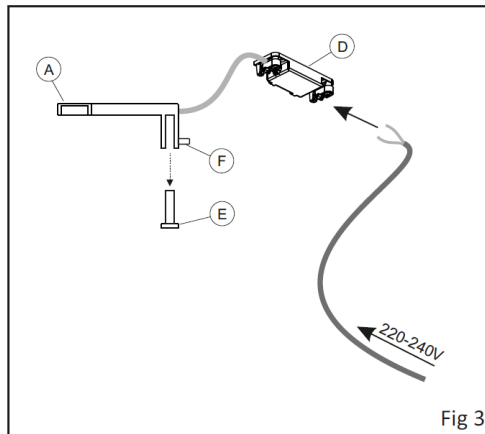
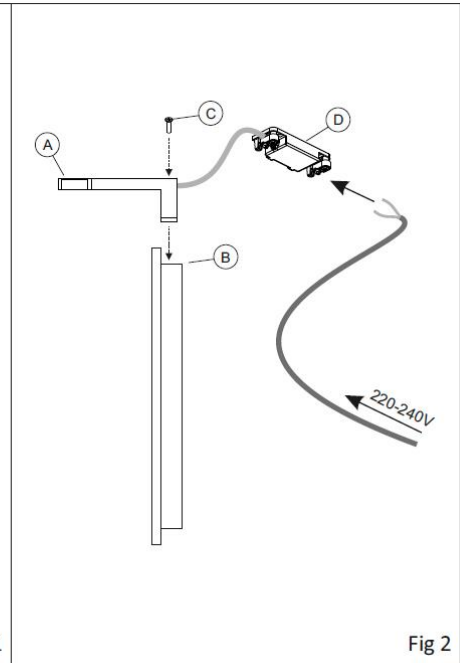
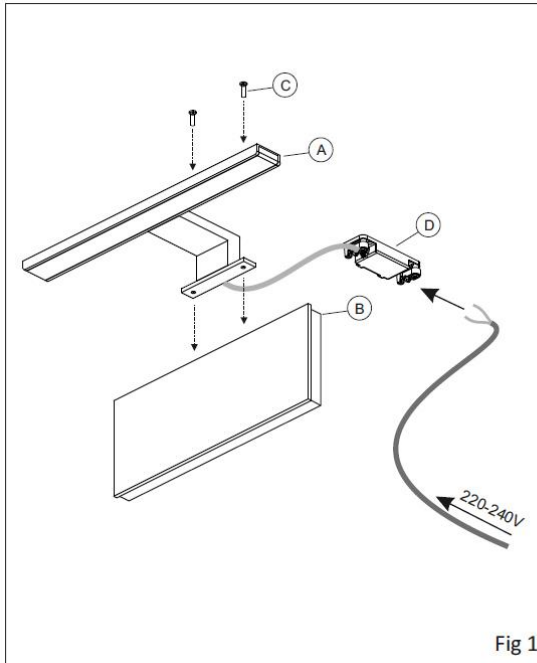
Markings	CE □ ▽ IP44 🏠
Total weight (kg)	N/A
Packaging size (WxDxH)	N/A
Other:	

Light radiation diagram



<p>Energy label</p>	 <p>AALTO DOMUS Line®</p> <p>Denna ljusarmatur har inbyggda lysdiodlampor.</p> <p>A++ A+ A B C D E F</p> <p>LED</p> <p>Lamporna i ljusarmaturen kan inte bytas ut.</p> <p>874/2012</p>
<p>Care instructions</p>	<p>The product is wiped clean with a damp cloth. Do not use strong detergent.</p>

Mounting instructions



	<div style="background-color: #cccccc; padding: 2px; display: flex; justify-content: space-between; font-weight: bold; font-size: 0.8em;"> INSTALLATION MANUAL EN </div> <p>WARNING: Safety is guaranteed if these instructions are followed and therefore they must be kept. Installation may require qualified personnel to be involved. Before proceeding with installation of the device ensure that the environmental conditions are in compliance with and suitable for the product characteristics. Before carrying out any operation on the device remove mains power.</p> <p>SHELF INSTALLATION (fig. 1,2): - Secure the light (A) to the shelf (B) using the provided screws (C).</p> <p>INSTALLATION ON MIRROR (Fig. 3,4,5): - Remove the support bracket (E) loosening the grub screws (F) (Fig. 3). - Insert the light (A) onto the mirror (G) ensuring that it is not thicker than 7.5mm (Fig. 4). - Secure the light (A) to the mirror (G) using the grub screws (F) (Fig. 4,5).</p> <p>ELECTRICAL CONNECTION: - Remove power from the mains. - Connection of the power supply cable to the 230V mains must be carried out using the junction box (D) that is provided in the package. - The power supply cable must not be accessible after installation of the device.</p> <p>- If the provided connector terminal is not used, used connection devices certified in compliance with the EN 60998 standard. - House this device in an adequately sized box.</p> <p>WHC VERSION OPERATION (changes colour): AALTO / LEVEL WHC has a light source with 3 selectable colour temperatures (3000-4000-6000K). To make this selection proceed as follows: Switch AALTO / LEVEL WHC on and then switch off within 10 second and then switch back on. Each time it is switched on a different colour temperature will be selected. To store the selected tone, leave the light on for more than 10-seconds.</p> <p>WARNING - The LED module for these devices cannot be replaced and therefore in the event of failure the entire device must be completely replaced. - Do not use the device if the power cable and/or the connection cables are defective. Defective cables and/or connectors must be immediately replaced by qualified personnel authorised by DOMUS Line. - Never run any cable through sharp corners and edges. - Never run the cable over hot parts and always protect it against contact with liquids. - Install the device in a position that is out of the reach of children.</p> <div style="background-color: #cccccc; padding: 2px; display: flex; justify-content: space-between; font-weight: bold; font-size: 0.8em;"> INSTALLATION MANUAL EN </div> <p>- If the cable needs to be secured use only insulated clips or plastic cable ties. - Ensure that the cable is not crushed between the wall and the mirror. - Never use extension cables that are not compatible with the original connection system. - Before cleaning the device ensure that you have switched it off and wait until it has cooled. - Never immerse the device in water. - To clean the metallic parts of the device use a soft and dry cloth and never, under any circumstances, use liquid detergents, abrasive products or similar items that could irreparably scratch and damage the surface. - For stubborn dirt a cloth slightly dampened with water may be used. In this case, never bring the cloth into contact with the live electrical parts (cables, connectors, etc.) and after cleaning, dry the device very well and ensure that no residual dampness remains.</p>
Eco-labeling	N/A
Licens number	N/A
Packaging material	Corrugated cardboard
Recycling instructions	Device is subject to the European Community directives 2002/96/CE and 2003/108/CE and shall be handed in at a waste deposit center

Product Data Sheet

Article number (will be added by Beslag Design):

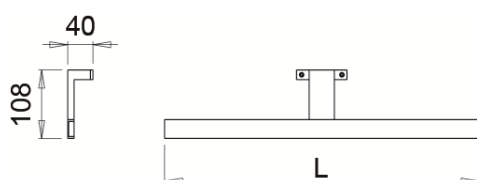
975035 /975036 (4000K)

Produced by KG	Date 2017-10-23	Replaces -	Valid from 2017-10-23
-------------------	--------------------	---------------	--------------------------

Company information

Company name	Beslag Design	Telephone number	+46(0)431 784 80
Address	Inre Kustvägen 32 SE-269 43 Båstad	Fax number	+46(0)431 784 99
E-mail	info@beslagdesign.se	Web page	www.beslagdesign.se

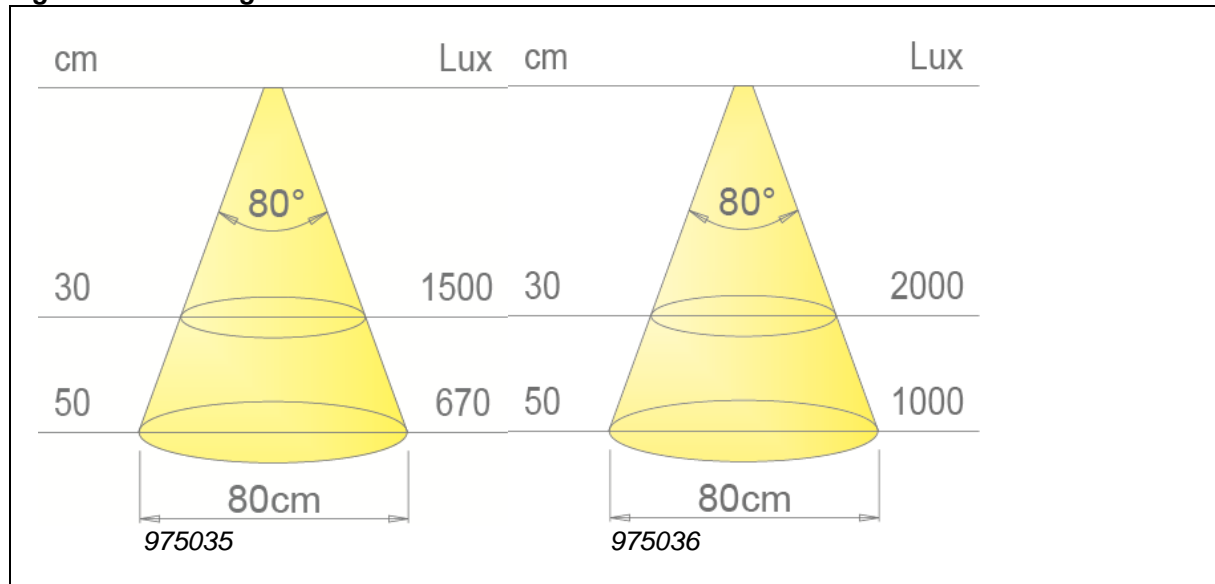
Product Data

Product name	Aalto
Article No.	975035 (300mm) / 975036 (500mm)
Versions	N/A
Description	Bathroom light, not dimmable
Product material	Metall alloy / methacrylate
Surface finish	Chrome plated
Dimensions (mm)	
Light source type	SMD LED module
Connection type	800mm cable with bare ends
Voltage (V)	230V
Rated power (W)	5W (975035) / 8W (975036)
Luminous power at 50cm (lux)	1000lux
Luminous flux (lm)	400lm (975035) / 640lm (975036)
Luminous efficiency (lm/W)	80lm/W
Light temperature (K)	4000K
Color rendering index (CRI)	Ra ≥ 80
Beam Angle (°)	80°
Dimmable (Yes/No)	No
Driver included (Yes/No)	Yes
Life span (h)	30.000h - average value (minimum guaranteed complies with the requirements of EU Regulation 1194/2012)
Replaceable light source	No
Insulation degree	II
IP rating	IP44
Compliance-Standards	EN 60598-1:2008+A11 EN 55015:2013 EN 60598-2-1:1989 EN 61547:2009 EN 62493:2010 EN 61000-3-3:2013 EN 62471:2008 EN 61000-3-2:2006+A1+A2
Compliance-European Directives	2014/35/EU Low Voltage 2009/125/EC Erp (Reg.No1194/2012/UE + Reg. 1428/2015/UE) 2011/65/UE RoHs 2014/30/EU

Product Data Sheet

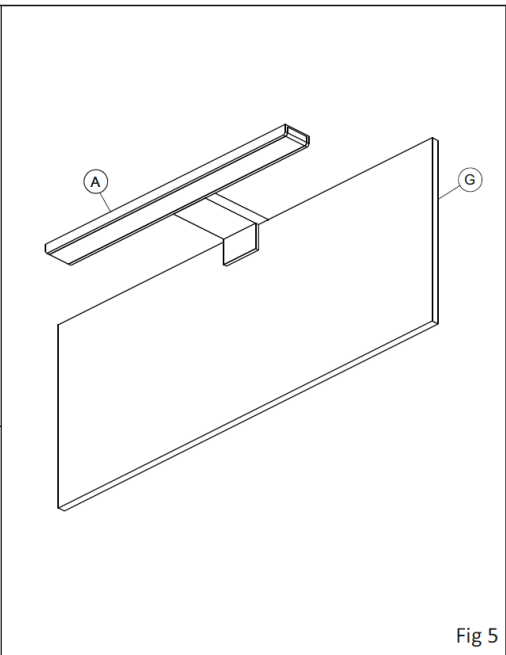
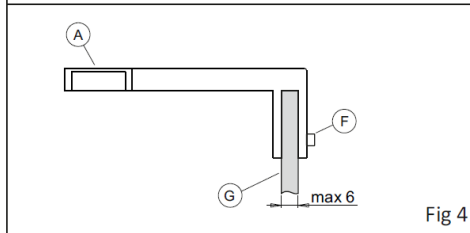
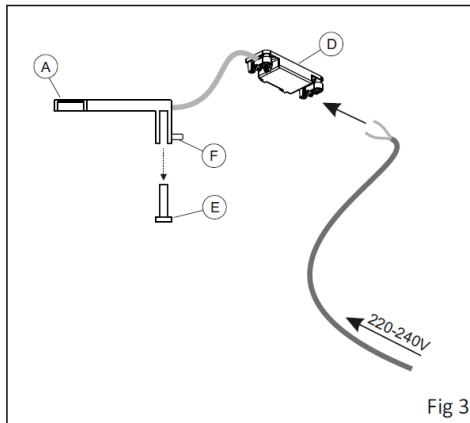
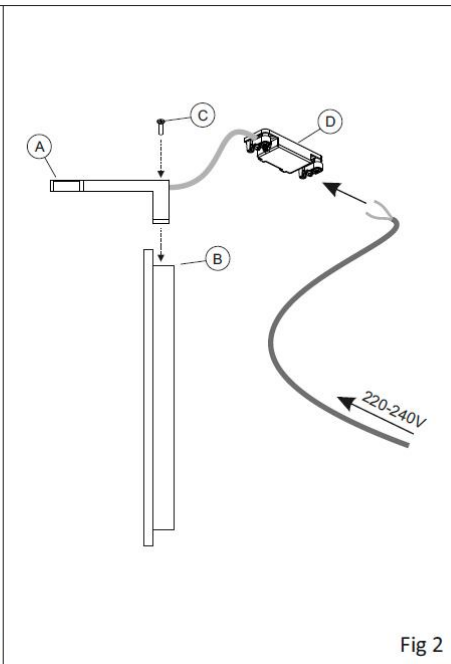
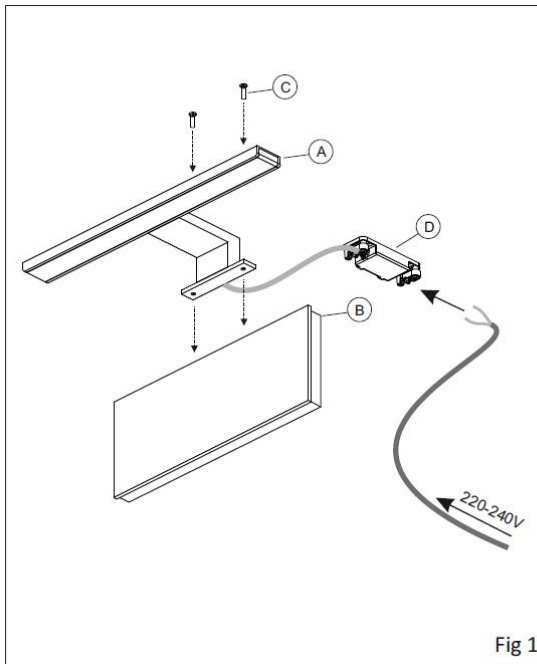
Markings	CE □ ▽ IP44 🏠
Total weight (kg)	N/A
Packaging size (WxDxH)	N/A
Other:	

Light radiation diagram



<p>Energy label</p>	<p>AALTO DOMUS Line®</p> <p>Denna ljusarmatur har inbyggda lysdiodlampor.</p> <p>A++ A+ A B C D E</p> <p>LED</p> <p>Lamporna i ljusarmaturen kan inte bytas ut.</p> <p>874/2012</p>
<p>Care instructions</p>	<p>The product is wiped clean with a damp cloth. Do not use strong detergent.</p>

Mounting instructions



	<div style="background-color: #cccccc; padding: 2px; display: flex; justify-content: space-between; font-weight: bold; font-size: 0.8em;"> INSTALLATION MANUAL EN </div> <p>WARNING: Safety is guaranteed if these instructions are followed and therefore they must be kept. Installation may require qualified personnel to be involved. Before proceeding with installation of the device ensure that the environmental conditions are in compliance with and suitable for the product characteristics. Before carrying out any operation on the device remove mains power.</p> <p>SHELF INSTALLATION (fig. 1,2): - Secure the light (A) to the shelf (B) using the provided screws (C).</p> <p>INSTALLATION ON MIRROR (Fig. 3,4,5): - Remove the support bracket (E) loosening the grub screws (F) (Fig. 3). - Insert the light (A) onto the mirror (G) ensuring that it is not thicker than 7.5mm (Fig. 4). - Secure the light (A) to the mirror (G) using the grub screws (F) (Fig. 4,5).</p> <p>ELECTRICAL CONNECTION: - Remove power from the mains. - Connection of the power supply cable to the 230V mains must be carried out using the junction box (D) that is provided in the package. - The power supply cable must not be accessible after installation of the device.</p> <p>- If the provided connector terminal is not used, used connection devices certified in compliance with the EN 60998 standard. - House this device in an adequately sized box.</p> <p>WHC VERSION OPERATION (changes colour): AALTO / LEVEL WHC has a light source with 3 selectable colour temperatures (3000-4000-6000K). To make this selection proceed as follows: Switch AALTO / LEVEL WHC on and then switch off within 10 second and then switch back on. Each time it is switched on a different colour temperature will be selected. To store the selected tone, leave the light on for more than 10-seconds.</p> <p>WARNING - The LED module for these devices cannot be replaced and therefore in the event of failure the entire device must be completely replaced. - Do not use the device if the power cable and/or the connection cables are defective. Defective cables and/or connectors must be immediately replaced by qualified personnel authorised by DOMUS Line. - Never run any cable through sharp corners and edges. - Never run the cable over hot parts and always protect it against contact with liquids. - Install the device in a position that is out of the reach of children.</p> <div style="background-color: #cccccc; padding: 2px; display: flex; justify-content: space-between; font-weight: bold; font-size: 0.8em; margin-top: 20px;"> INSTALLATION MANUAL EN </div> <p>- If the cable needs to be secured use only insulated clips or plastic cable ties. - Ensure that the cable is not crushed between the wall and the mirror. - Never use extension cables that are not compatible with the original connection system. - Before cleaning the device ensure that you have switched it off and wait until it has cooled. - Never immerse the device in water. - To clean the metallic parts of the device use a soft and dry cloth and never, under any circumstances, use liquid detergents, abrasive products or similar items that could irreparably scratch and damage the surface. - For stubborn dirt a cloth slightly dampened with water may be used. In this case, never bring the cloth into contact with the live electrical parts (cables, connectors, etc.) and after cleaning, dry the device very well and ensure that no residual dampness remains.</p>
Packaging material	Corrugated cardboard
Recycling instructions	Device is subject to the European Community directives 2002/96/CE and 2003/108/CE and shall be handed in at a waste deposit center