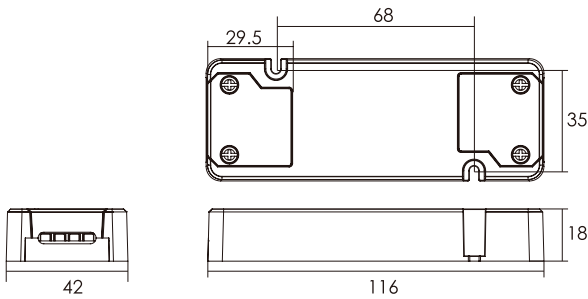


NYHETER

DALI CV Dimming LED Controller C5AD

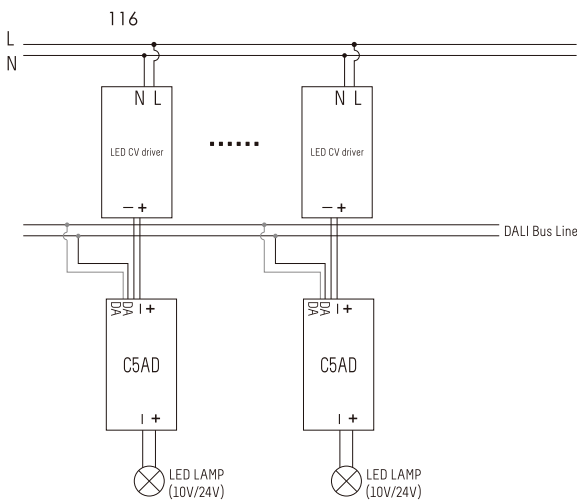
Features

- Compatible with DALI control system or DALI dimmer
- 0.1%-100% dimming range
- 1kHz PWM dimming frequency
- Stand-by power <0.3W
- Suitable for Class I, II or SELV luminaire and Independent use
- Duplicate terminals for parallel connection
- Double isolation between input & output terminal

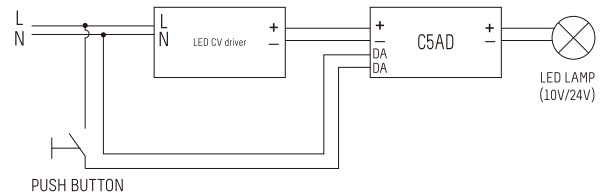

Parameters:

Art. No.	Input voltage (V)	Max. output current (A)	Output voltage (V)	Ambient temperature ta(°C)	Max. casing temperature ta(°C)	Isolation	Dimensions LxWxH (mm)	Weight (g)
971195-11	10~24VDC	5	10~24VDC	-20...+50	60	SELV	116x42x18	51

Wiring for DALI system control



Wiring for push-dim control



Wiring for DALI dimmer control

