

Product Data Sheet

Article number (will be added by Beslag Design):

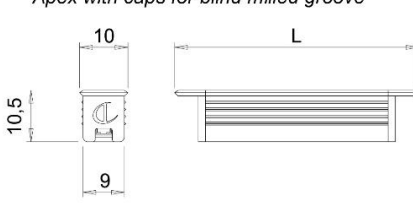
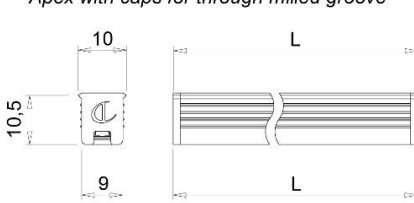
973351 / 973355 / 973356

Produced by BD	Date 2017-10-23	Replaces -	Valid from 2017-10-23
-------------------	--------------------	---------------	--------------------------

Company information

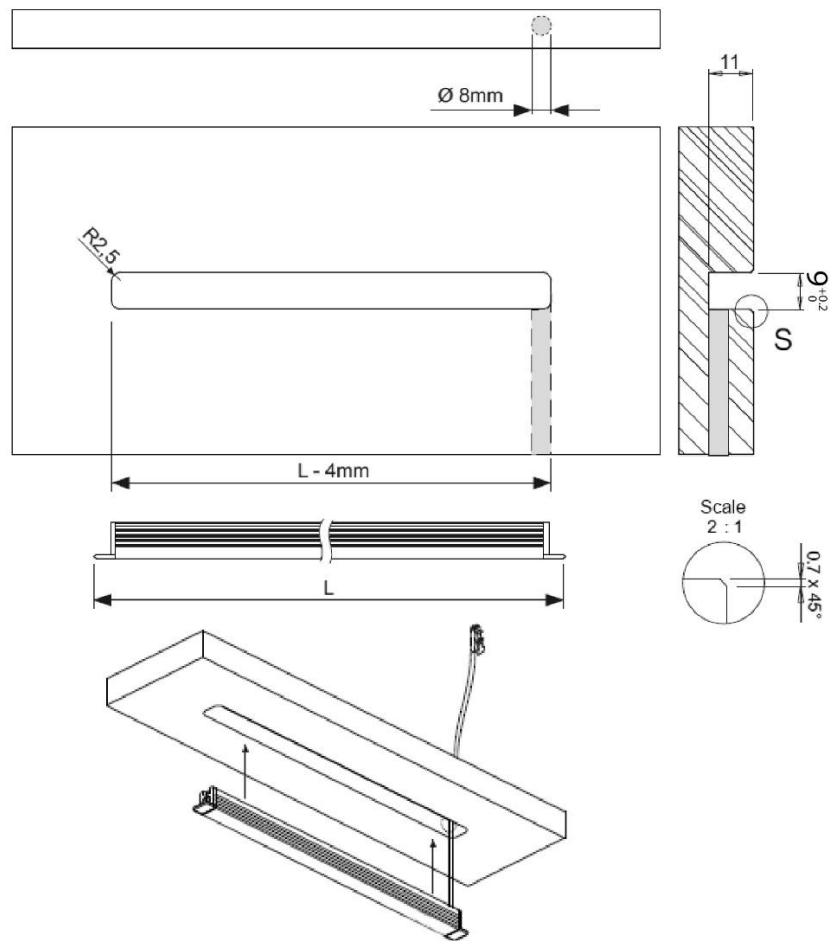
Company name	Beslag Design	Telephone number	+46(0)431 784 80
Address	Inre Kustvägen 32 SE-269 43 Båstad	Fax number	+46(0)431 784 99
E-mail	info@beslagdesign.se	Web page	www.beslagdesign.se

Product Data

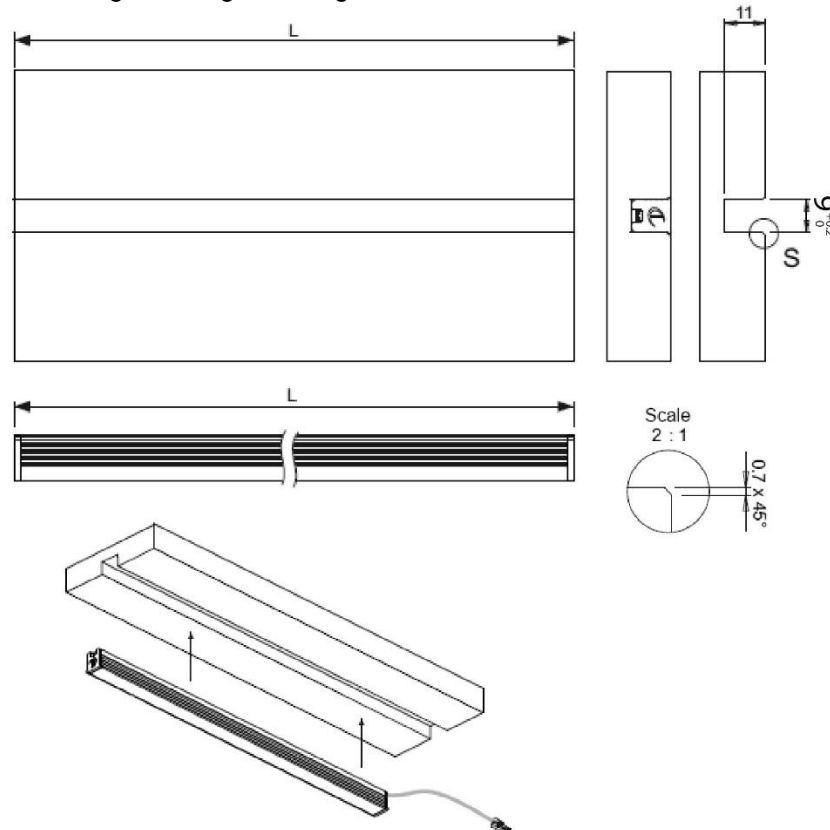
Product name	Apex
Article No.	973351 (profile + diffuser. 2000mm) / 973355 (2pcscaps for blinde milled groove / caps for through milled groove)
Versions	N/A
Description	Profile for LED-strips. Fits together with Miss and Lab
Product material	Methacrylate (PMMA)
Surface finish	Opal
Dimensions (mm)	<div style="display: flex; justify-content: space-around; align-items: flex-start;"> <div style="text-align: center;"> <p><i>Apex with caps for blind milled groove</i></p>  </div> <div style="text-align: center;"> <p><i>Apex with caps for through milled groove</i></p>  </div> </div>
Possible light source type	LED-strips with width of 6mm (Flexy LED HE6 PW Pro or Flexy LED SHE6 PW PRO)
Insulation degree	Class III when mounted with Flexy LED HE6 PW Pro or Flexy LED SHE6 PW PRO
IP rating	IP20
Other:	N/A
Packaging material	N/A
Recycling instructions	In regards of making recycling of material and energy easier, the product parts should be separated at source.
Care instructions	The product is wiped clean with a damp cloth. Do not use strong detergent.

Mounting instructions

1. Mounting in blind milled groove



2. Mounting in through milled groove



--	--